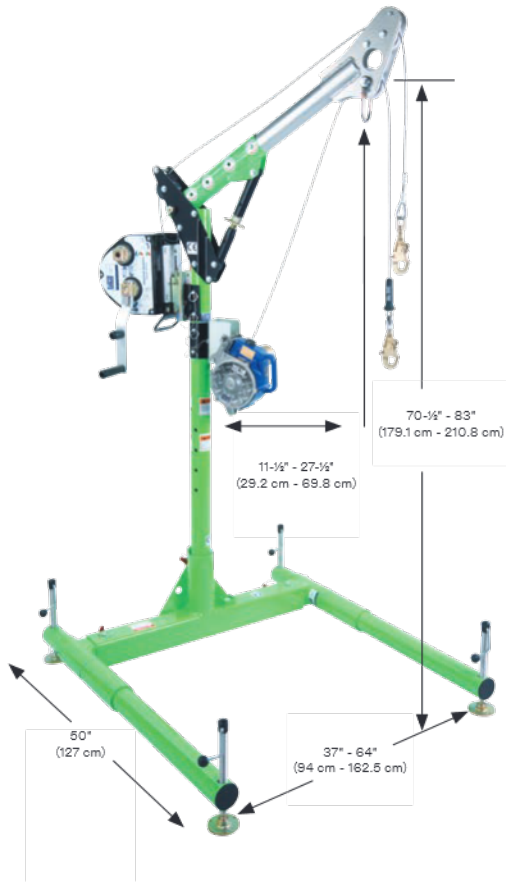


3M™ DBI-SALA®

Hoist Systems

Adaptability and portability. They're both essential to successful manhole or confined space entry and retrieval. That's why we've engineered our Hoist Systems with lightweight materials like high-strength aluminum and made them adjustable and extendable to meet the specific needs of your job site. If you're not sure what you need, please call us and we'll create your customized solution to maximize ease-of-rescue—even in complex environments.

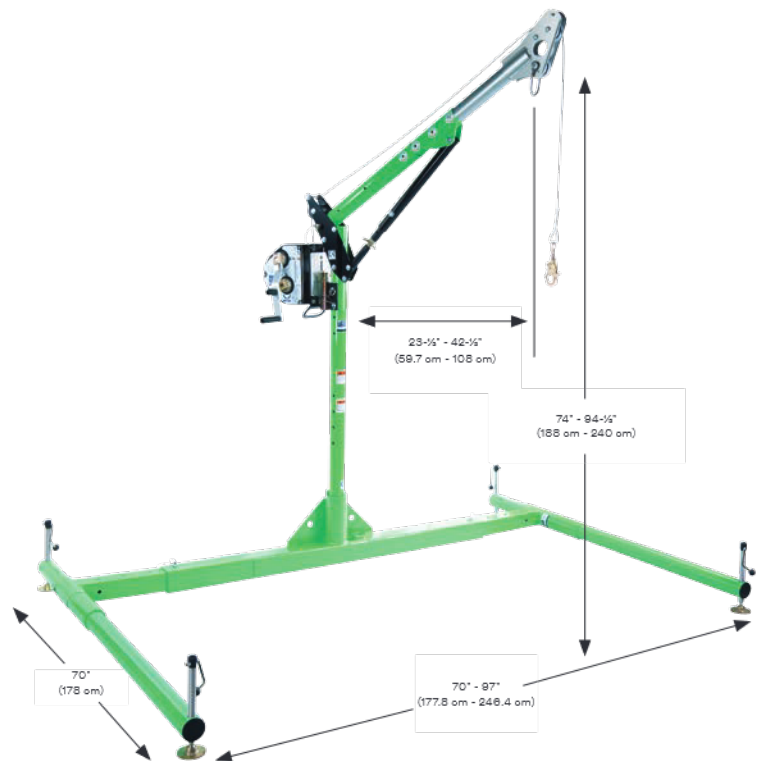


8300009

3M™ DBI-SALA®

5-Piece Hoist System

Davit arm and base system includes 11- $\frac{1}{2}$ " - 27- $\frac{1}{2}$ " (29.2 cm-69.8 cm) Adjustable Offset Upper Mast (8518001), 33" (83.8 cm) Lightweight Lower Mast (8518002), and 3-Piece Lightweight Base (8518005). Includes winch mounting bracket. Order winch and Self-Retracting Lifeline separately. Weight: 100 lb (45.5 kg)



8518040

3M™ DBI-SALA®

5-Piece Hoist System

Davit arm and base system includes 23- $\frac{1}{2}$ " - 42- $\frac{1}{2}$ " (59.7 cm-108 cm) Adjustable Offset Upper Mast (8518006), 33" (83.8 cm) Lightweight Lower Mast (8518002), and 3-Piece Lightweight Base (8518008). Includes winch mounting bracket. Order winch separately. Weight: 137.5 lb (62.3 kg)